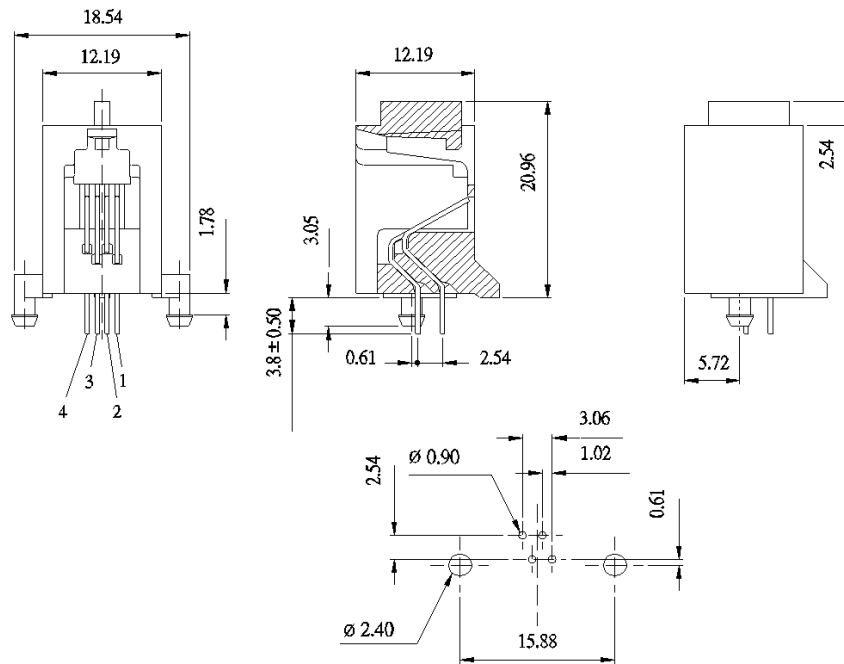


Telecom Connectors

51 SERIES - 616 TYPE SIDE ENTRY PHONE JACK <4P>



PC Board Layout

Technical Data

Housing : Standard Material ABS RESIN UL94V-0
 Standard Colour : Medium Gray
 Optional Colour : Black
 Contact : 0.46mm Diameter Phosphor Bronze
 Gold Plating Over Nickel

Ordering Information

E	51	4	□	-	0	0	0	□	1	□
Series Number	No. Of Positions		No. Of Contacts (2,4)		Gold Plating: 1-GF 2-6u" 3-15u" 4-30u" 5-50u" 6-Pd20u"					
Color Of Housing:						0-Gray 1-Black				

Westfield Electronics

TEL: +44 1488 685183 www.westfielduk.com FAX: +44 1488 685430

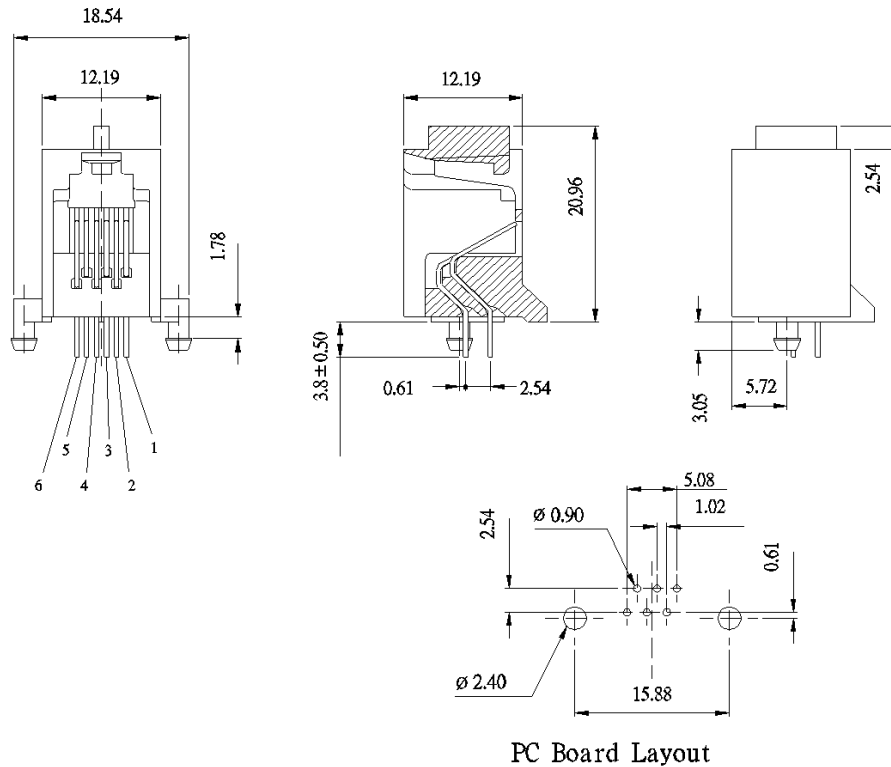
Unit 2, Station Yard, Station Road, Hungerford, Berkshire, RG17 ODY

United Kingdom. E-mail: sales@westfielduk.com

Please note – due to technical progress, all designs, specifications, data sheets & components are subject to change without notice. All product information contained in this catalogue / data sheet is for information only – not for specification. Please call / fax / e-mail for samples & full engineering drawings, Certificates of Conformance issued if required. E&OE

Telecom Connectors

51 SERIES - 623 TYPE SIDE ENTRY PHONE JACK



Technical Data

Housing : Standard Material ABS/PBT Resin UL94V-0
 Standard Colour : Medium Gray
 Optional Colour : Black
 Contact : 0.46mm Diameter Phosphor Bronze
 Gold Plating Over Nickel

Ordering Information

E	51	6		-	0	0	0		1	
Series Number		No. Of Positions								
		NO. Of Contacts (2,4,6)								

Gold Plating:
 1-GF 2-6u" 3-15u"
 4-30u" 5-50u" 6-Pd20u"

Color Of Housing:
 0-ABS Gray
 1-ABS Black
 2-ABS Ivory
 3-PBT Gray

Westfield Electronics

TEL: +44 1488 685183 www.westfielduk.com FAX: +44 1488 685430

Unit 2, Station Yard, Station Road, Hungerford, Berkshire, RG17 ODY

United Kingdom. E-mail: sales@westfielduk.com

Please note – due to technical progress, all designs, specifications, data sheets & components are subject to change without notice. All product information contained in this catalogue / data sheet is for information only – not for specification. Please call / fax / e-mail for samples & full engineering drawings, Certificates of Conformance issued if required. E&OE