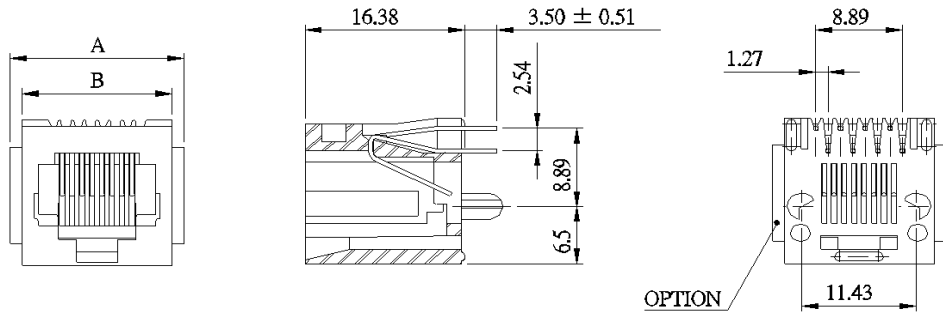
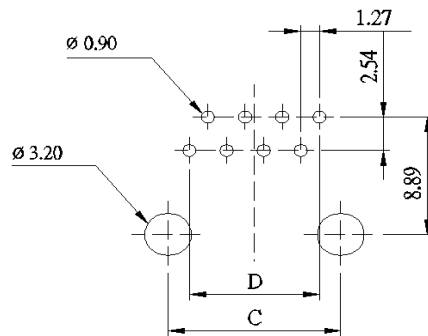


Telecom Connectors

52 SERIES - TOP ENTRY "HALF ROUND FOOT" PCB JACK "F" TYPE <4P,6P,8P>



NO. Of Positions	Dimensions			
	A	B	C	D
4	13.97	11.43	7.62	3.81
6	16.00	13.46	10.16	6.35
8	17.84	15.36	11.43	8.89

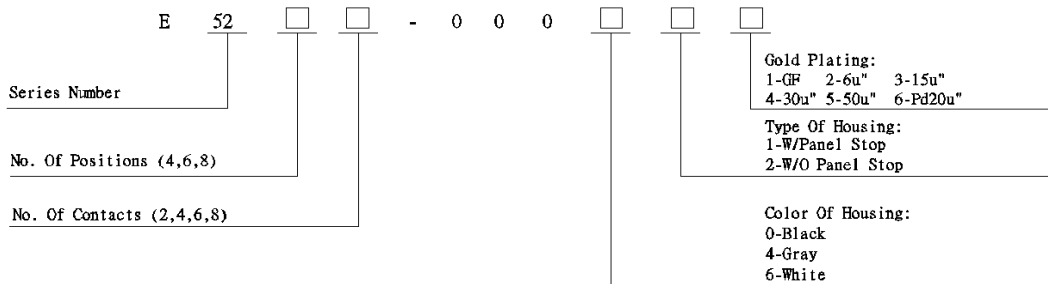


PC Board Layout

Technical Data

Housing : Standard Material
Glass Filled Polyester UL94V-0
Standard Colour : Black
Contact : 0.46mm Phosphor Bronze
Gold Plating Over Nickel

Ordering Information



Westfield Electronics

TEL: +44 1488 685183 www.westfielduk.com FAX: +44 1488 685430

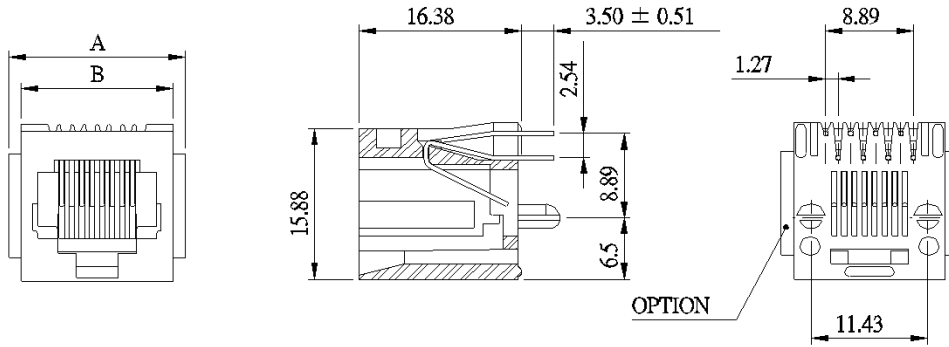
Unit 2, Station Yard, Station Road, Hungerford, Berkshire, RG17 ODY

United Kingdom E-mail: sales@westfielduk.com

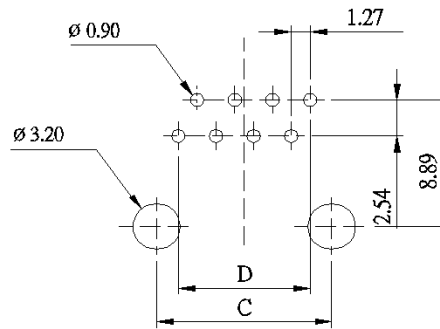
Please note: due to technical progress, all designs, specifications, data sheets & components are subject to change without notice. All product information contained in this catalogue / data sheet is for information only – not specification. Pls call/ fax / e mail for samples & full engineering drawings, Certificates of conformance issued if required. E&OE.

Telecom Connectors

52 SERIES - TOP ENTRY "SPLIT FOOT" PCB JACK "F" TYPE <4P,6P,8P>



NO. Of Positions	Dimensions			
	A	B	C	D
4	13.97	11.43	7.62	3.81
6	16.00	13.46	10.16	6.35
8	17.84	15.36	11.43	8.89

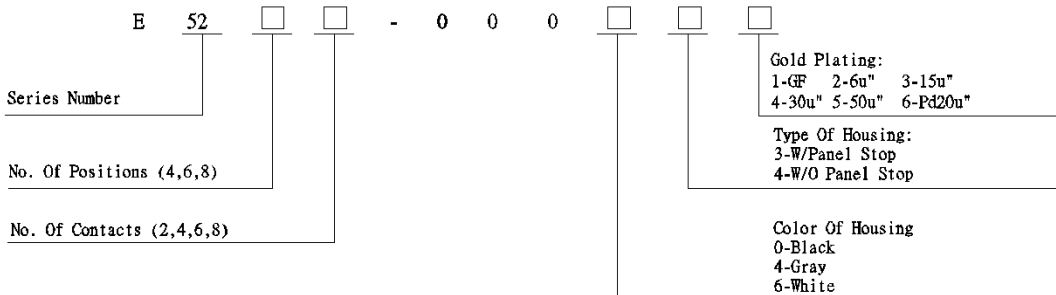


PC Board Layout

Technical Data

Housing : Standard Material
 Glass Filled Polyester UL94V-0
 Standard Colour : Black
 Contact : 0.46mm Phosphor Bronze
 Gold Plating Over Nickel

Ordering Information



Westfield Electronics

TEL: +44 1488 685183 www.westfielduk.com FAX: +44 1488 685430

Unit 2, Station Yard, Station Road, Hungerford, Berkshire, RG17 ODY

United Kingdom E-mail: sales@westfielduk.com

Please note: due to technical progress, all designs, specifications, data sheets & components are subject to change without notice. All product information contained in this catalogue / data sheet is for information only – not specification. Pls call/ fax / e mail for samples & full engineering drawings, Certificates of conformance issued if required. E&OE.