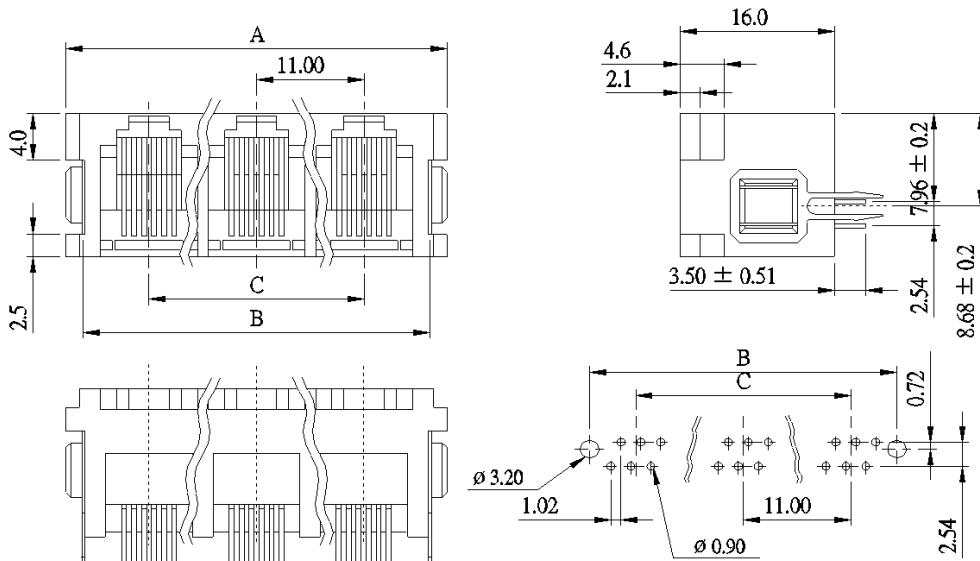


Telecom Connectors

5H SERIES - TOP ENTRY METAL FOOT PCB GANGED JACK "H" TYPE <6P>



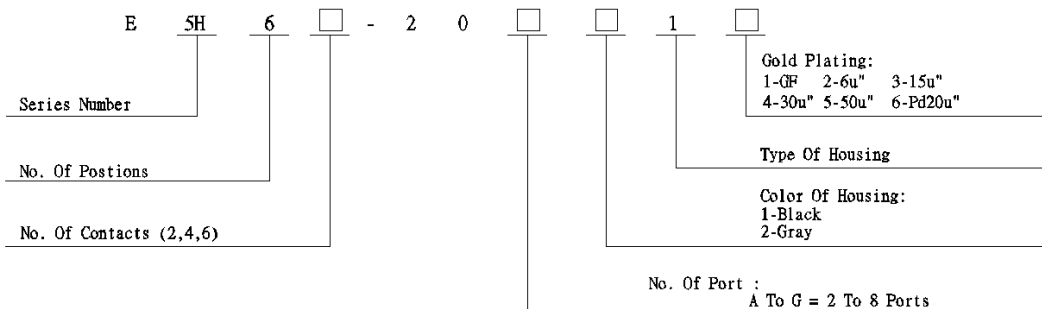
PC Board Layout

DIMENSION	NO. OF PORT						
	2	3	4	5	6	7	8
A	28.00	39.00	50.00	61.00	72.00	83.00	94.00
B	24.80	35.80	46.80	57.80	68.80	79.80	90.80
C	11.00	22.00	33.00	44.00	55.00	66.00	77.00

Technical Data

Housing : Standard Material
Glass Filled Polyester UL94V-0
Standard Colour : Medium Gray
Optional Colour : Black
Contact : 0.46mm Diameter Phosphor Bronze
Gold Plating Over Nickel
Metal Foot : 0.50mm Bronze Tin Plated

Ordering Information



Westfield Electronics

TEL: +44 1488 685183 www.westfielduk.com FAX: +44 1488 685430

Unit 2, Station Yard, Station Road, Hungerford, Berkshire, RG17 ODY

United Kingdom E-mail: sales@westfielduk.com

Please note: due to technical progress, all designs, specifications, data sheets & components are subject to change without notice. All product information contained in this catalogue / data sheet is for information only – not specification. Pls call/ fax / e mail for samples & full engineering drawings, Certificates of conformance issued if required. E&OE.