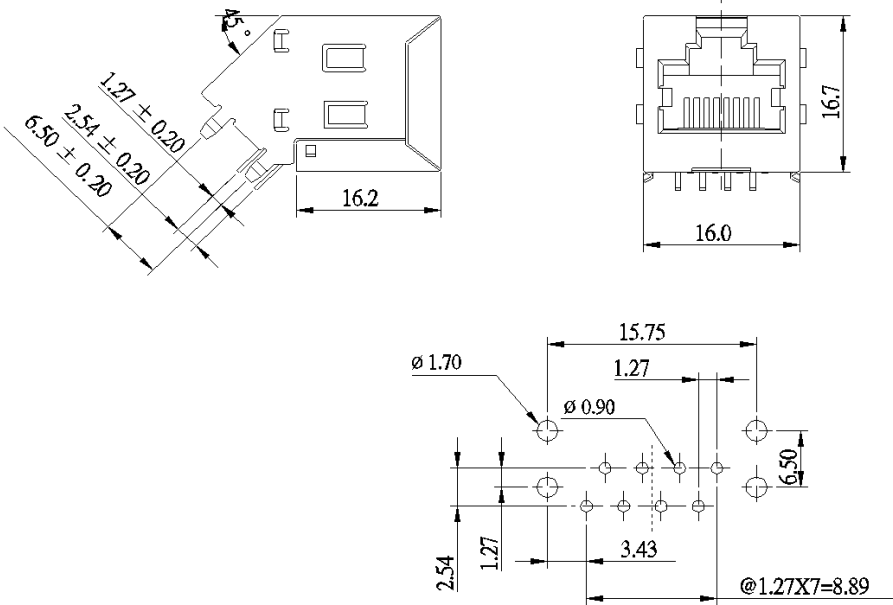


Telecom Connectors

52 SERIES - FULLY SHIELDED 45°C ENTRY PCB JACK <8P>

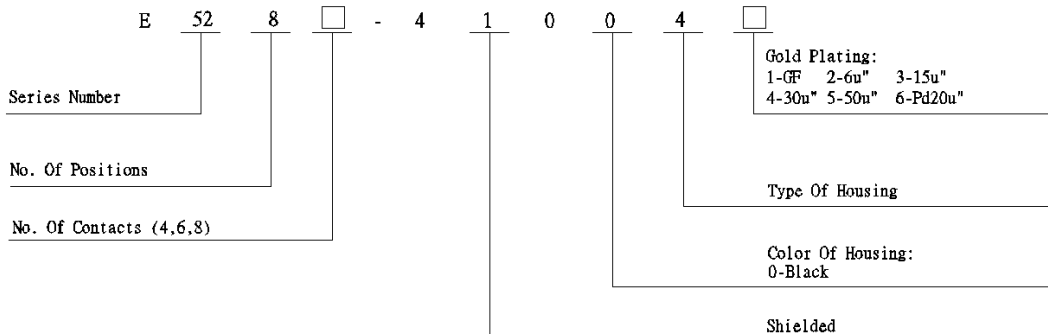


PC Board Layout

Technical Data

Housing : Standard Material
 Glass Filled Polyester UL94V-0
 Standard Colour : Black
 Contact : 0.35mm Thickness Phosphor Bronze Alloy Selective
 Gold Plating Over Nickel Over Tin
 Shield : 0.25mm Brass Tin Plated

Ordering Information



Westfield Electronics

TEL: +44 1488 685183 www.westfielduk.com FAX: +44 1488 685430

Unit 2, Station Yard, Station Road, Hungerford, Berkshire, RG17 ODY

United Kingdom E-mail: sales@westfielduk.com

Please note: due to technical progress, all designs, specifications, data sheets & components are subject to change without notice. All product information contained in this catalogue / data sheet is for information only – not specification. Pls call/ fax / e mail for samples & full engineering drawings, Certificates of conformance issued if required. E&OE.