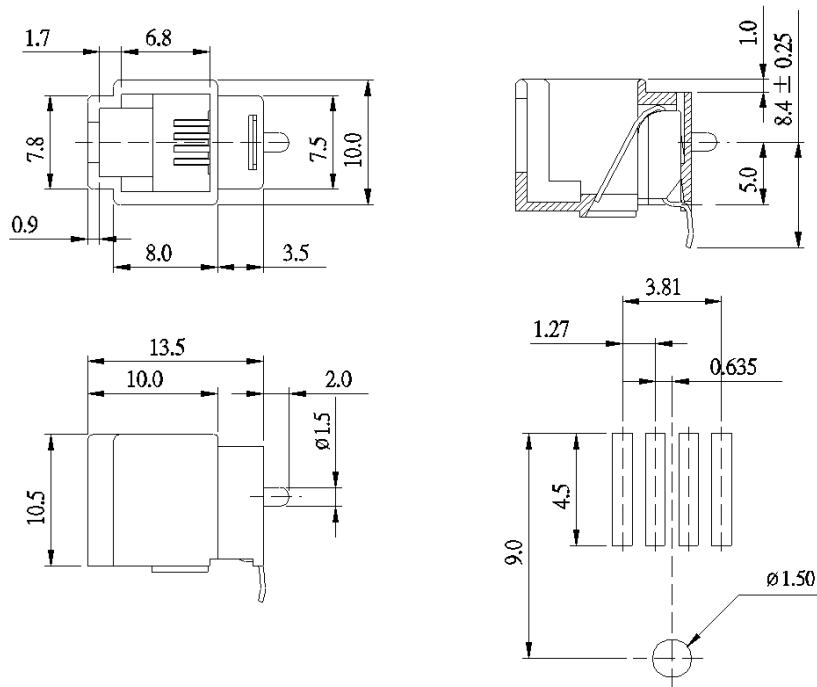


Telecom Connectors

52 SERIES - SIDE ENTRY SMT PCB JACK <4P>



PC Board Layout

Technical Data

Housing : Standard Material
 Glass Filled Nylon FR52 UL94V-0
 Standard Colour : Black
 Contact : 0.35mm Thickness Phosphor Bronze Alloy Selective
 Gold Plating Over Nickel Over Tin

Ordering Information

E	52	4	4	-	9	0	0	<input type="checkbox"/>	7	<input type="checkbox"/>
Series Number										Gold Plating: 1-GF 2-6u" 3-15u" 4-30u" 5-50u"
No. Of Positions										Type Of Housing
No. Of Contacts										Color Of Housing 1-Black (PBT+15%GF) 7-Black (FR52)

Westfield Electronics

TEL: +44 1488 685183 www.westfielduk.com FAX: +44 1488 685430
 Unit 2, Station Yard, Station Road, Hungerford, Berkshire, RG17 ODY
 United Kingdom E-mail: sales@westfielduk.com

Please note: due to technical progress, all designs, specifications, data sheets & components are subject to change without notice. All product information contained in this catalogue / data sheet is for information only – not specification. Pls call/ fax / e mail for samples & full engineering drawings, Certificates of conformance issued if required. E&OE.