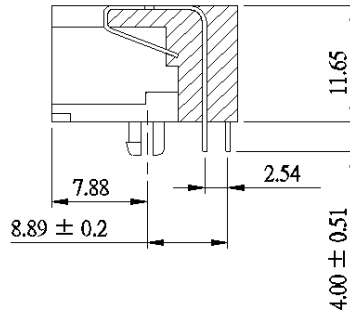
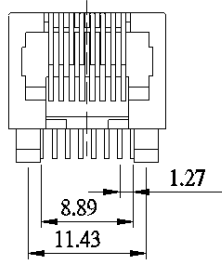
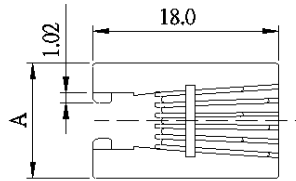


Telecom Connectors

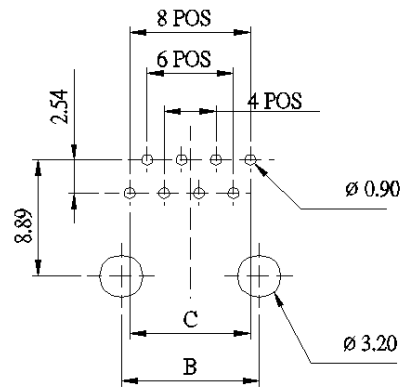
53 SERIES - SIDE ENTRY L/P PCB JACK <4P,6P,8P>



| | A | B | C |
|---|-------|-------|------|
| 4 | 11.16 | 7.62 | 3.81 |
| 6 | 13.20 | 10.16 | 6.35 |
| 8 | 15.15 | 11.43 | 8.89 |

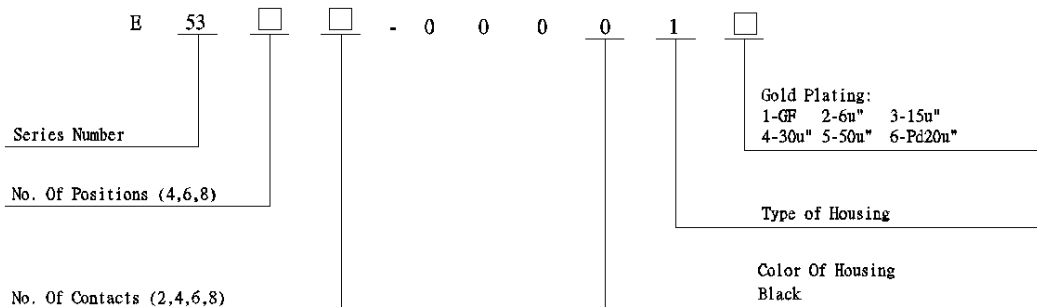
Technical Data

Housing : Standard Material
Glass Filled Polyester UL94V-0
Standard Colour : Black
Contact : 0.46mm Phosphor Bronze
Gold Plating Over Nickel



PC Board Layout

Ordering Information



Westfield Electronics

TEL: +44 1488 685183 www.westfielduk.com FAX: +44 1488 685430
 Unit 2, Station Yard, Station Road, Hungerford, Berkshire, RG17 ODY
 United Kingdom E-mail: sales@westfielduk.com

Please note: due to technical progress, all designs, specifications, data sheets & components are subject to change without notice. All product information contained in this catalogue / data sheet is for information only – not specification. Pls call/ fax / e mail for samples & full engineering drawings, Certificates of conformance issued if required. E&OE.