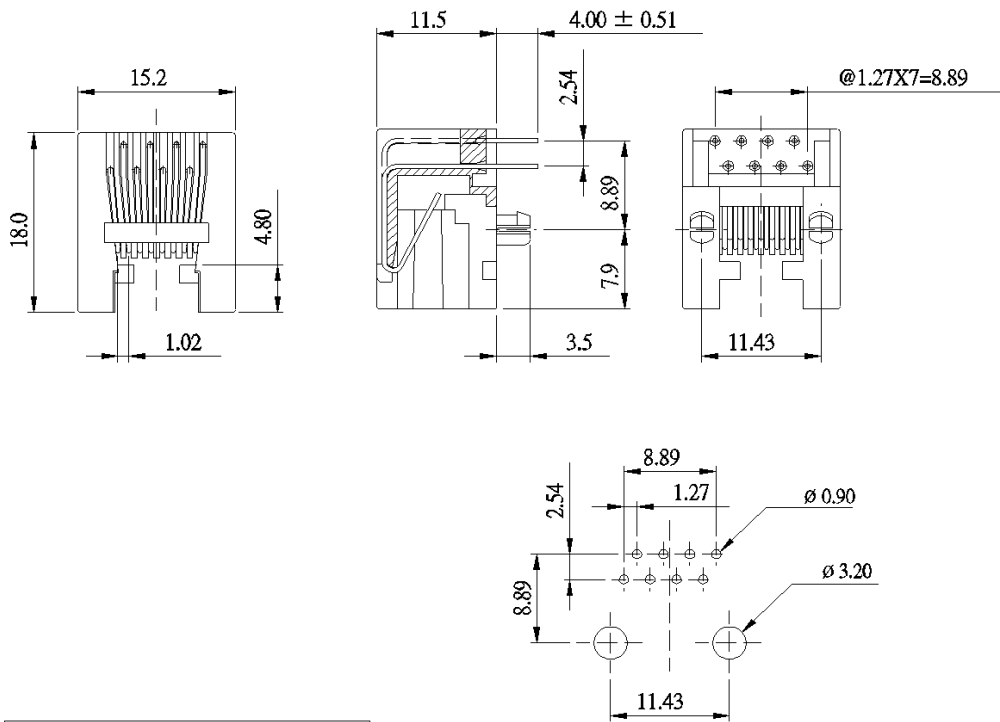


Telecom Connectors

53 SERIES - SIDE ENTRY L/P PCB JACK "B" TYPE <8P>



Technical Data

Housing : Standard Material
 Glass Filled Polyester UL94V-0
 Standard Colour : Medium Gray
 Optional Colour : Black
 Contact : 0.46mm Diameter Phosphor Bronze
 Gold Plating Over Nickel

PC Board Layout

Ordering Information

E	53	8	□	-	0	0	0	□	2	7
Series Number						Gold Plating: 1-GF 2-6u" 3-15u" 4-30u" 5-50u" 6-Pd20u"			Type of Housing	
No. Of Positions						Color Of Housing			Black	
No. Of Contacts (4,8)										

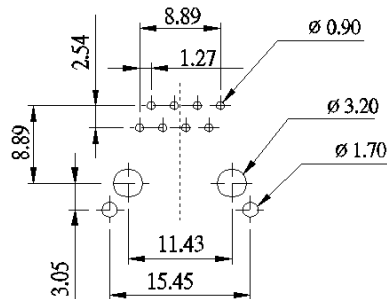
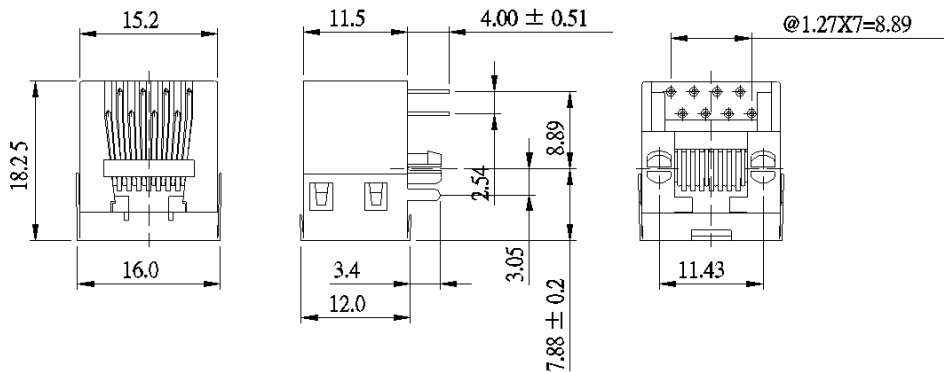
Westfield Electronics

TEL: +44 1488 685183 www.westfielduk.com FAX: +44 1488 685430
 Unit 2, Station Yard, Station Road, Hungerford, Berkshire, RG17 ODY
 United Kingdom E-mail: sales@westfielduk.com

Please note: due to technical progress, all designs, specifications, data sheets & components are subject to change without notice. All product information contained in this catalogue / data sheet is for information only – not specification. Pls call/ fax / e mail for samples & full engineering drawings, Certificates of conformance issued if required. E&OE.

Telecom Connectors

53 SERIES - SIDE ENTRY FRONT SHIELD L/P PCB JACK <8P>

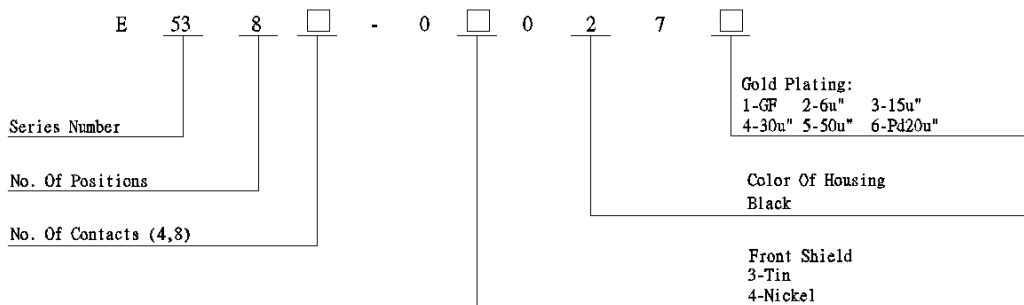


Technical Data

Housing : Standard Material
 Glass Filled Polyester UL94V-0
 Standard Colour : Black
 Contact : 0.46mm Phosphor Bronze
 Gold Plating Over Nickel
 Shield : 0.25mm Brass Tin-Lead Plated

PC Board Layout

Ordering Information



Westfield Electronics

TEL: +44 1488 685183 www.westfielduk.com FAX: +44 1488 685430

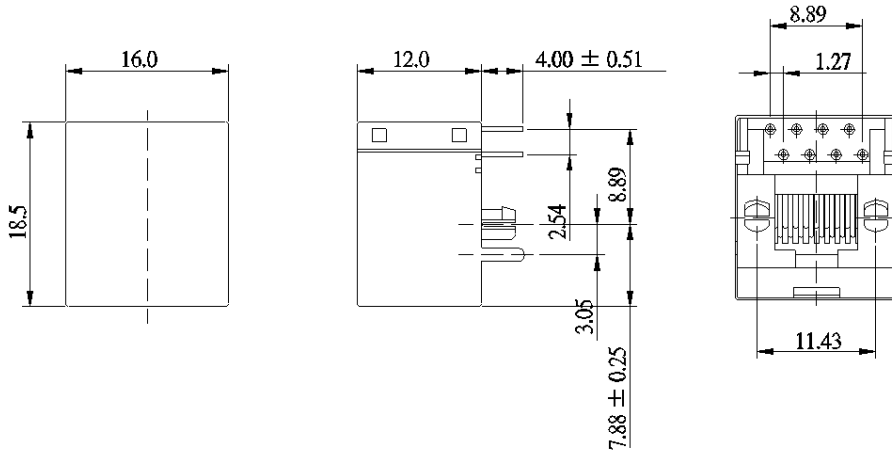
Unit 2, Station Yard, Station Road, Hungerford, Berkshire, RG17 ODY

United Kingdom E-mail: sales@westfielduk.com

Please note: due to technical progress, all designs, specifications, data sheets & components are subject to change without notice. All product information contained in this catalogue / data sheet is for information only – not specification. Pls call/ fax / e mail for samples & full engineering drawings, Certificates of conformance issued if required. E&OE.

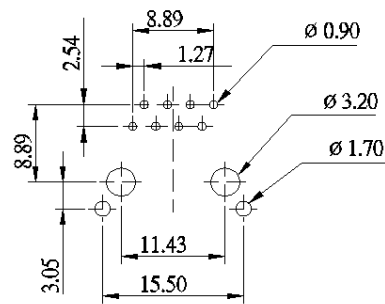
Telecom Connectors

53 SERIES - SIDE ENTRY FULLY SHIELDED L/P PCB JACK <8P>



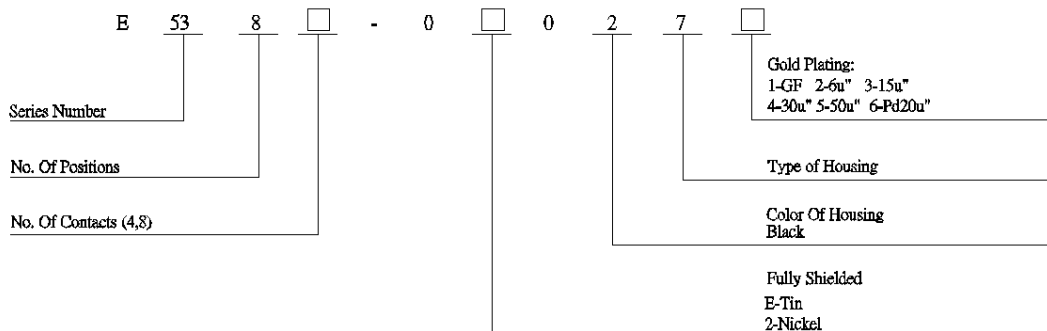
Technical Data

Housing : Standard Material
 Glass Filled Polyester UL94V-0
 Standard Colour : Black
 Contact : 0.46mm Phosphor Bronze
 Gold Plating Over Nickel
 Shield 0.25mm Brass Tin-LeadPlated



PC Board Layout

Ordering Information



Westfield Electronics

TEL: +44 1488 685183 www.westfielduk.com FAX: +44 1488 685430

Unit 2, Station Yard, Station Road, Hungerford, Berkshire, RG17 ODY

United Kingdom E-mail: sales@westfielduk.com

Please note: due to technical progress, all designs, specifications, data sheets & components are subject to change without notice. All product information contained in this catalogue / data sheet is for information only – not specification. Pls call/ fax / e mail for samples & full engineering drawings, Certificates of conformance issued if required. E&OE.