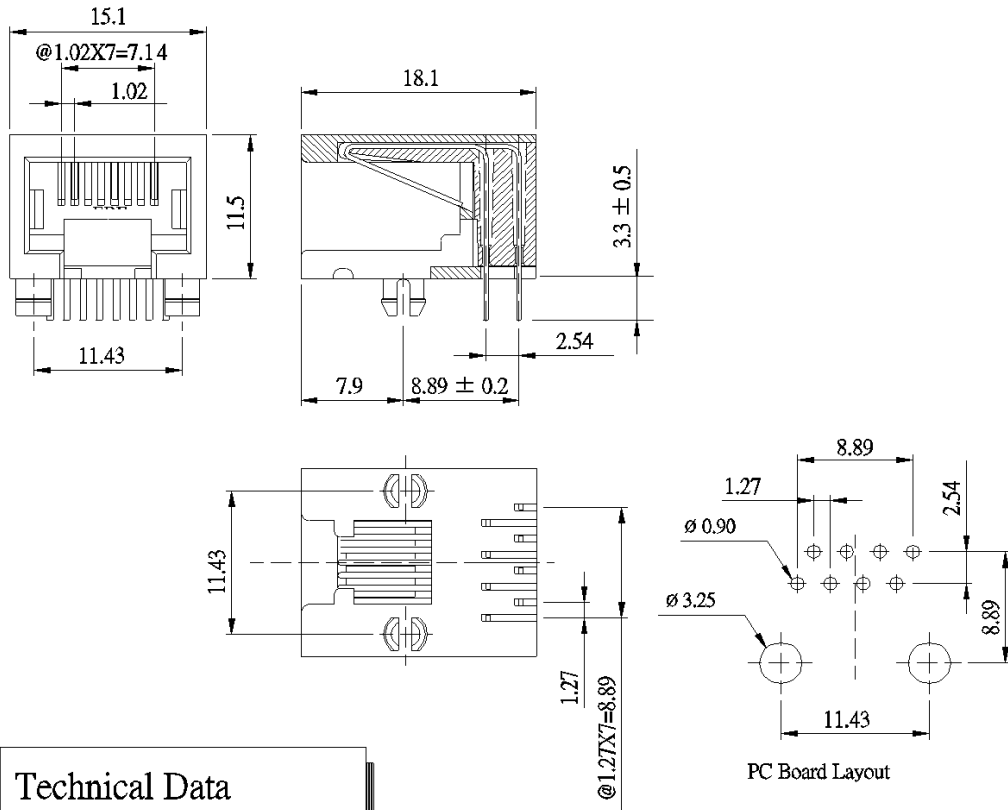


Telecom Connectors

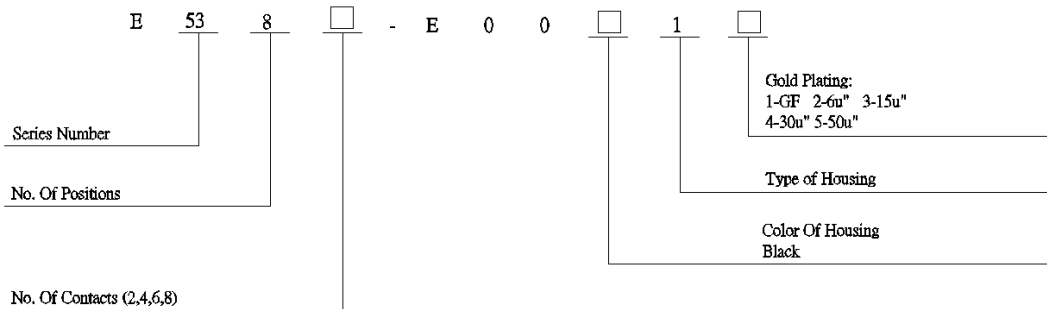
5A SERIES - SIDE ENTRY PCB JACK "D" TYPE <8P>



Technical Data

Housing : Standard Material
 Glass Filled Polyester UL94V-0
 Standard Colour : Black
 Contact : 0.46mm Diameter Phosphor Bronze
 Gold Plating Over Nickel

Ordering Information



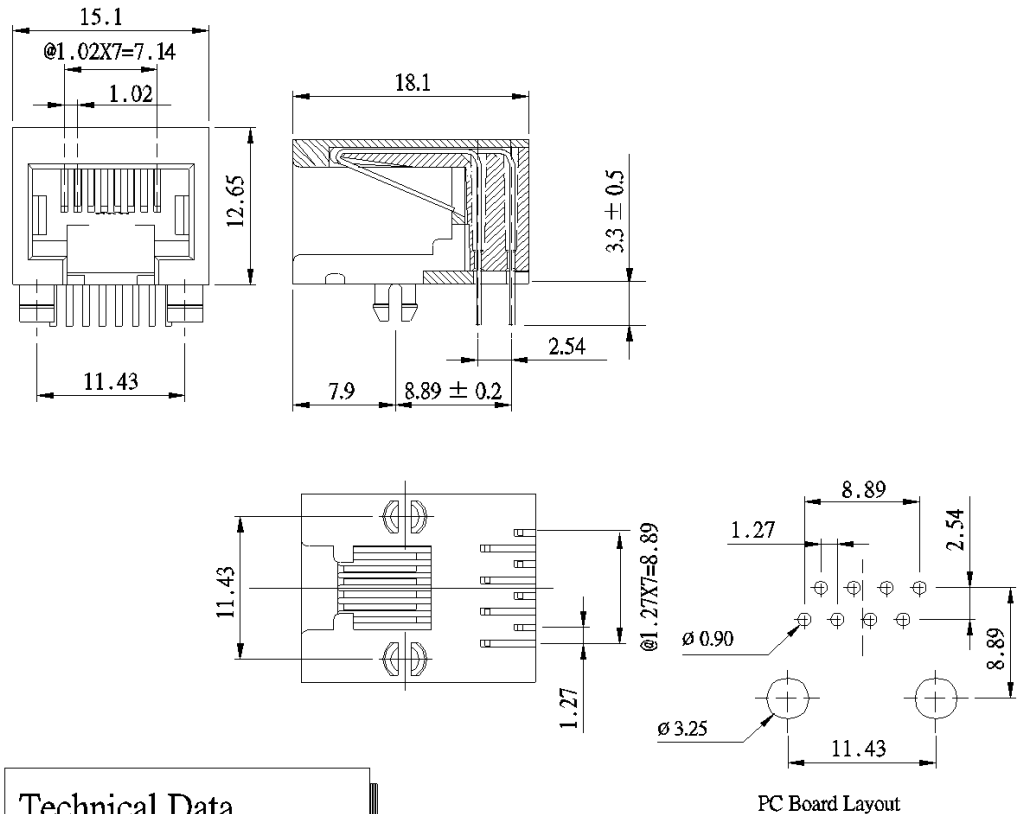
Westfield Electronics

TEL: +44 1488 685183 www.westfielduk.com FAX: +44 1488 685430
 Unit 2, Station Yard, Station Road, Hungerford, Berkshire, RG17 ODY
 United Kingdom E-mail: sales@westfielduk.com

Please note: due to technical progress, all designs, specifications, data sheets & components are subject to change without notice. All product information contained in this catalogue / data sheet is for information only – not specification. Pls call/ fax / e mail for samples & full engineering drawings, Certificates of conformance issued if required. E&OE.

Telecom Connectors

5A SERIES - SIDE ENTRY PCB JACK "D" TYPE <8P>

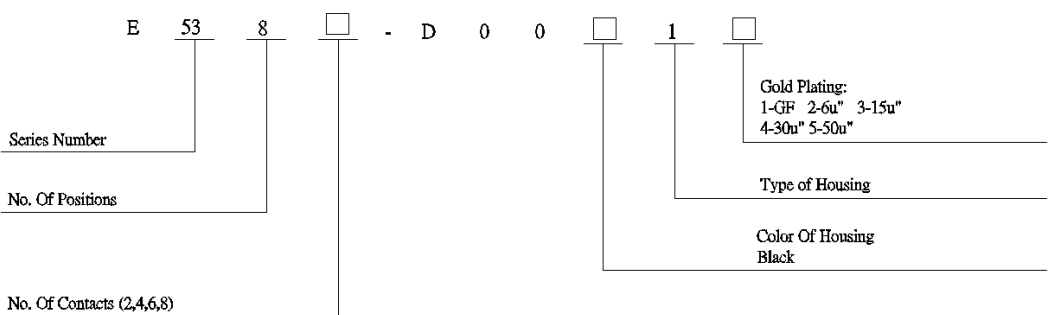


Technical Data

Housing : Standard Material
 Glass Filled Polyester UL94V-0
 Standard Colour : Black
 Contact : 0.46mm Diameter Phosphor
 Bronze Gold Plating Over Nickel

Contact : 0.46mm Diameter Phosphor
 Bronze Gold Plating Over Nickel

Ordering Information



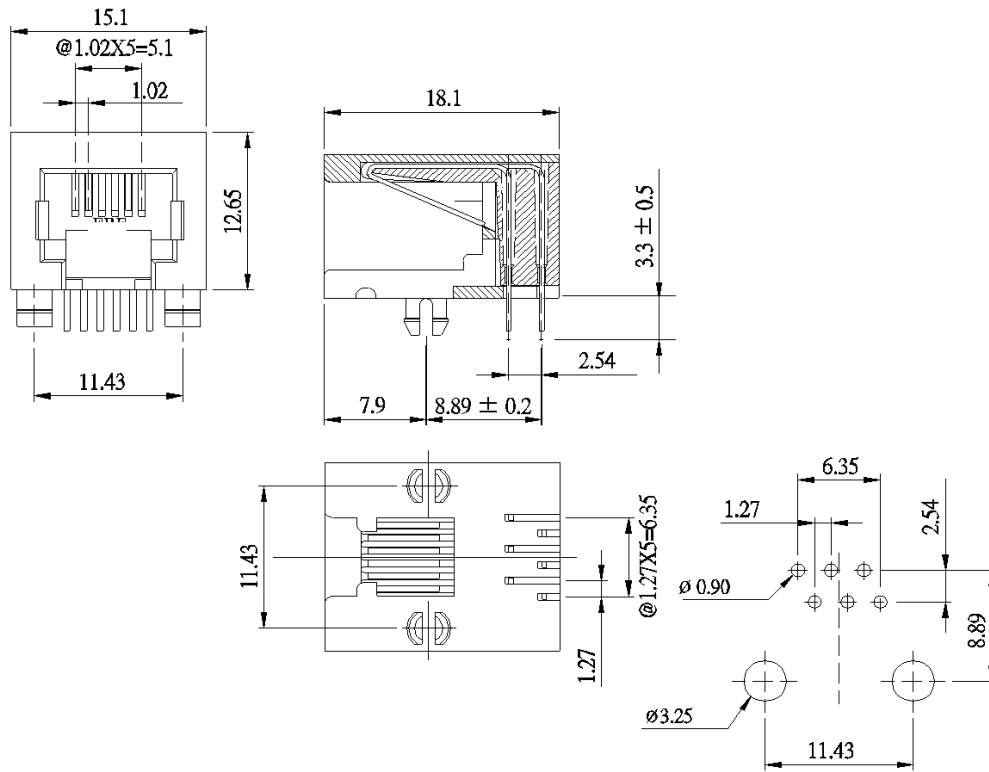
Westfield Electronics

TEL: +44 1488 685183 www.westfielduk.com FAX: +44 1488 685430
 Unit 2, Station Yard, Station Road, Hungerford, Berkshire, RG17 ODY
 United Kingdom E-mail: sales@westfielduk.com

Please note: due to technical progress, all designs, specifications, data sheets & components are subject to change without notice. All product information contained in this catalogue / data sheet is for information only – not specification. Pls call/ fax / e mail for samples & full engineering drawings, Certificates of conformance issued if required. E&OE.

Telecom Connectors

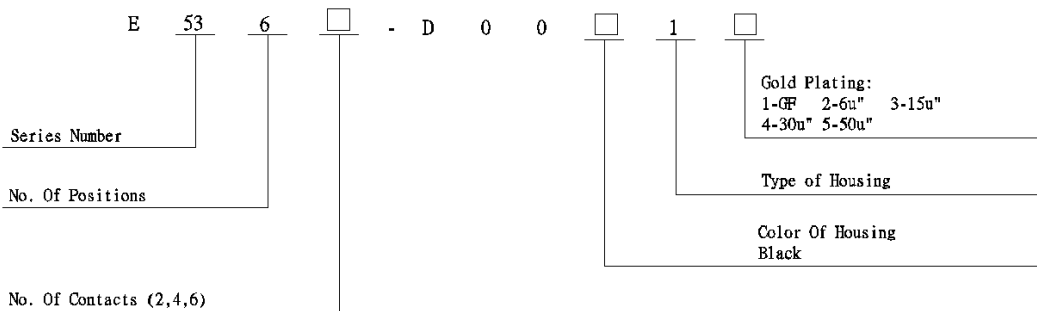
53 SERIES - SIDE ENTRY PCB JACK "D" TYPE <6P>



Technical Data

Housing : Standard Material
 Glass Filled Polyester UL94V-0
 Standard Colour : Black
 Contact : 0.46mm Diameter Phosphor
 Bronze Gold Plating Over Nickel

Ordering Information



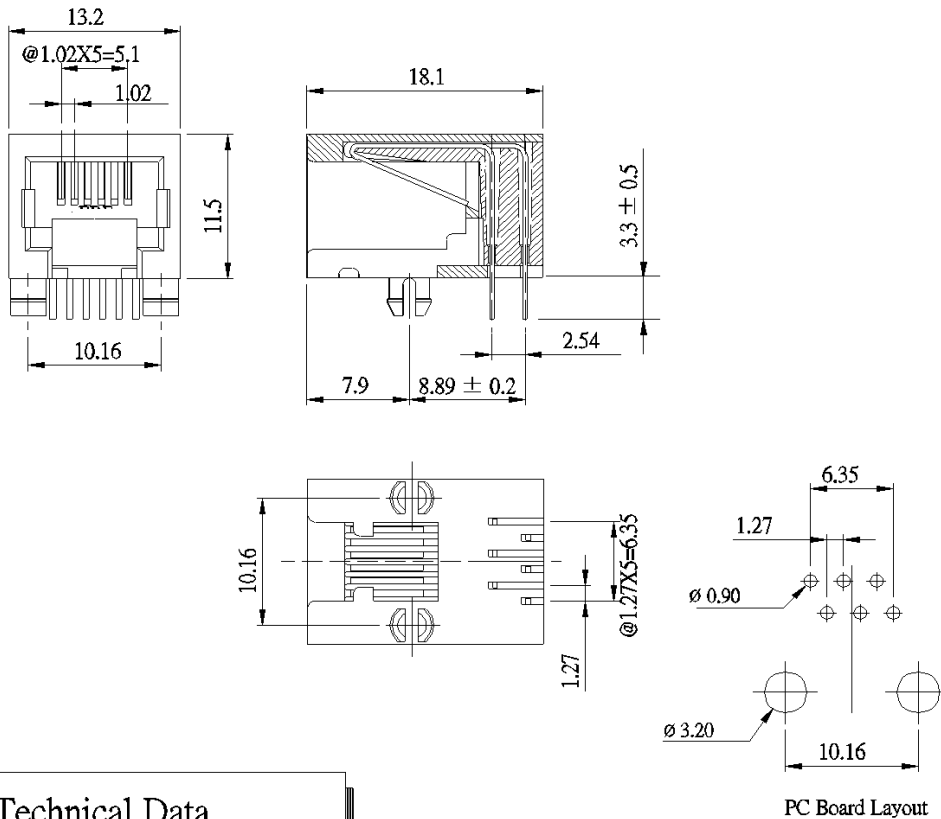
Westfield Electronics

TEL: +44 1488 685183 www.westfielduk.com FAX: +44 1488 685430
 Unit 2, Station Yard, Station Road, Hungerford, Berkshire, RG17 ODY
 United Kingdom E-mail: sales@westfielduk.com

Please note: due to technical progress, all designs, specifications, data sheets & components are subject to change without notice. All product information contained in this catalogue / data sheet is for information only – not specification. Pls call/ fax / e mail for samples & full engineering drawings, Certificates of conformance issued if required. E&OE.

Telecom Connectors

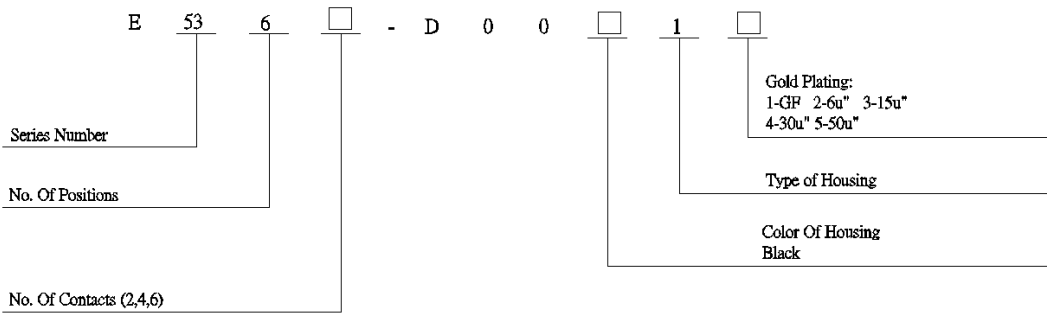
53 SERIES - SIDE ENTRY PCB JACK "D" TYPE <6P>



Technical Data

Housing : Standard Material
 Glass Filled Polyester UL94V-0
 Standard Colour : Black
 Contact : 0.46mm Diameter Phosphor
 Bronze Gold Plating Over Nickel

Ordering Information



Westfield Electronics

TEL: +44 1488 685183 www.westfielduk.com FAX: +44 1488 685430
 Unit 2, Station Yard, Station Road, Hungerford, Berkshire, RG17 ODY
 United Kingdom E-mail: sales@westfielduk.com

Please note: due to technical progress, all designs, specifications, data sheets & components are subject to change without notice. All product information contained in this catalogue / data sheet is for information only – not specification. Pls call/ fax / e mail for samples & full engineering drawings, Certificates of conformance issued if required. E&OE.