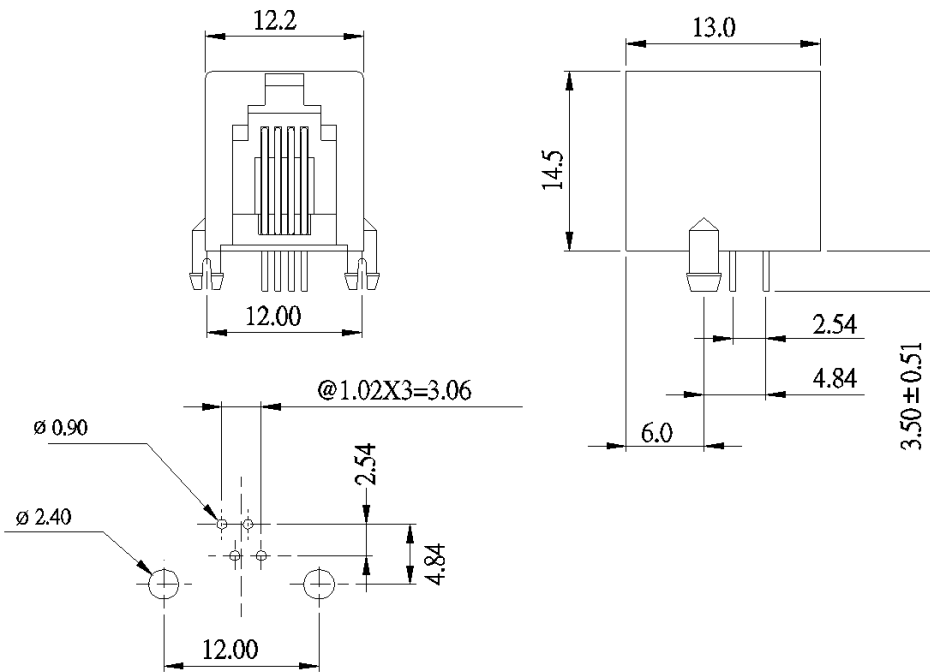


Telecom Connectors

55 SERIES - SIDE ENTRY MINI L/P FLANGELESS PCB JACK <4P>

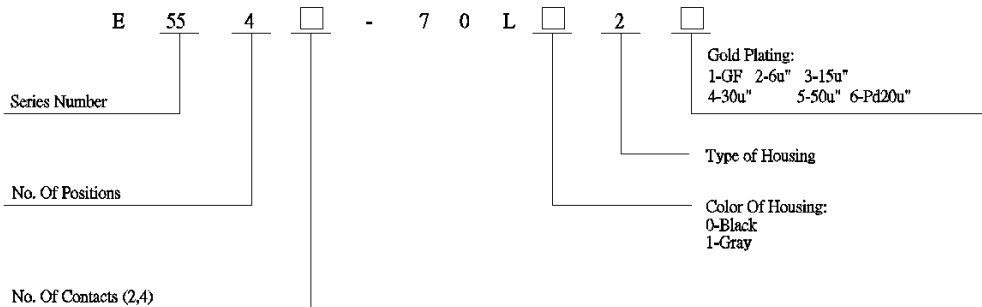


PC Board Layout

Technical Data

Housing : Standard Material
 Glass Filled Polyester UL94V-0
 Standard Colour : Medium Gray
 Optional Colour : Black
 Contact : 0.46mm Diameter Phosphor Bronze
 Gold Plating Over Nickel

Ordering Information



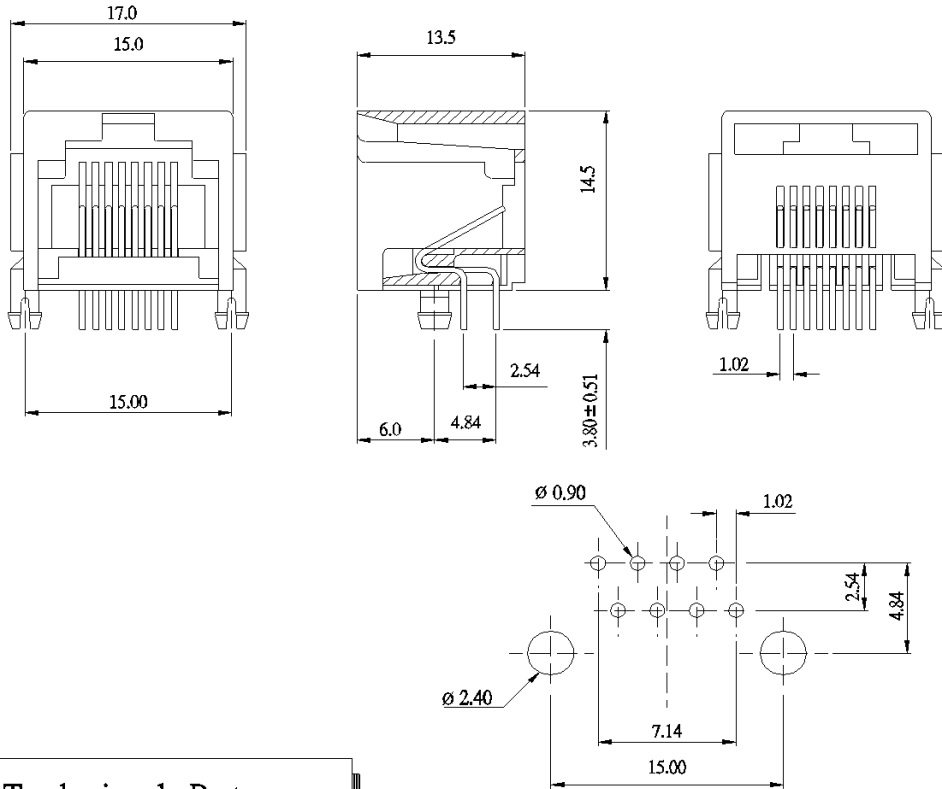
Westfield Electronics

TEL: +44 1488 685183 www.westfielduk.com FAX: +44 1488 685430
 Unit 2, Station Yard, Station Road, Hungerford, Berkshire, RG17 ODY
 United Kingdom E-mail: sales@westfielduk.com

Please note: due to technical progress, all designs, specifications, data sheets & components are subject to change without notice. All product information contained in this catalogue / data sheet is for information only – not specification. Pls call/ fax / e mail for samples & full engineering drawings, Certificates of conformance issued if required. E&OE.

Telecom Connectors

55 SERIES - SIDE ENTRY MINI L/P PCB JACK <8P>



Technical Data

Housing : Standard Material
 Glass Filled Polyester UL94V-0
 Standard Colour : Medium Gray
 Optional Colour : Black
 Contact : 0.46mm Diameter Phosphor Bronze
 Gold Plating Over Nickel

PC Board Layout

Ordering Information

E	55	8	□	-	2	0	L	□	□	□
Series Number	No. Of Positions		No. Of Contacts (2,4,6,8)			Gold Plating: 1-GF 2-6u" 3-15u" 4-30u" 5-50u" 6-Pd20u"				
					Type Of Housing: 1-W/Panel Stop 2-W/O Panel Stop					
					Color Of Housing: 5-Black D-Gray					

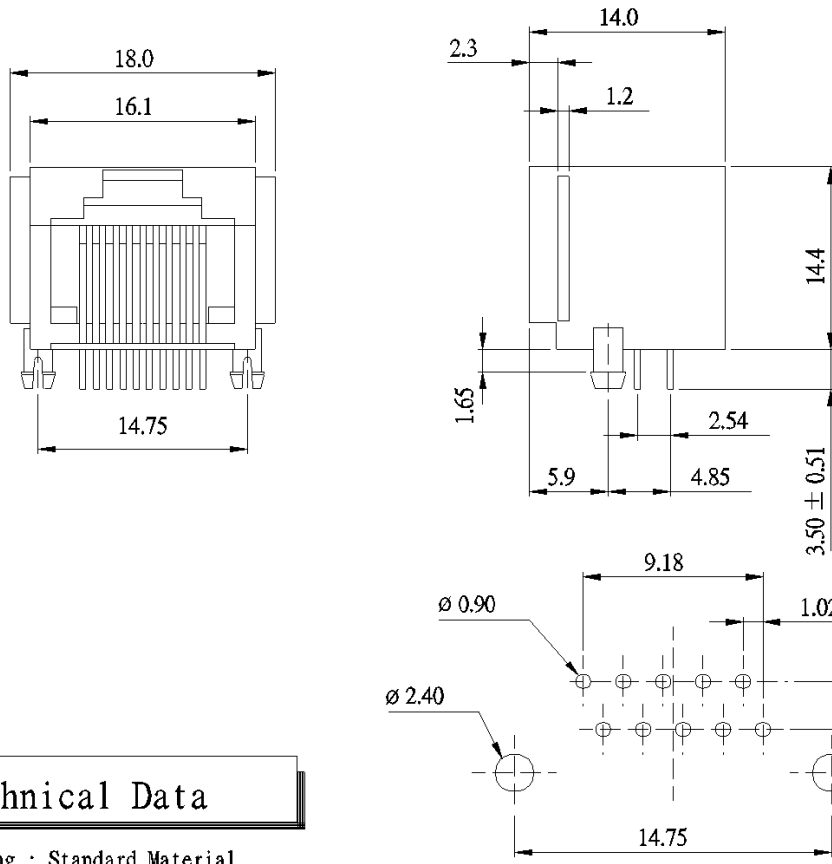
Westfield Electronics

TEL: +44 1488 685183 www.westfielduk.com FAX: +44 1488 685430
 Unit 2, Station Yard, Station Road, Hungerford, Berkshire, RG17 ODY
 United Kingdom E-mail: sales@westfielduk.com

Please note: due to technical progress, all designs, specifications, data sheets & components are subject to change without notice. All product information contained in this catalogue / data sheet is for information only – not specification. Pls call/ fax / e mail for samples & full engineering drawings, Certificates of conformance issued if required. E&OE.

Telecom Connectors

55 SERIES - SIDE ENTRY MINI L/P PCB JACK <10P>

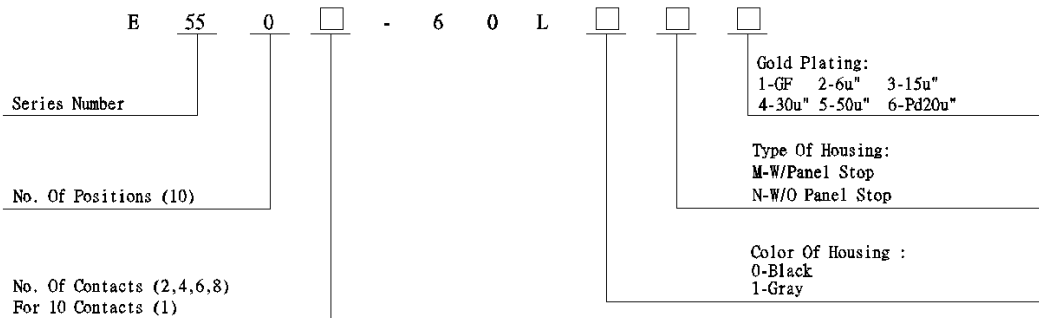


Technical Data

Housing : Standard Material
 Glass Filled Polyester UL94V-0
 Standard Colour : Medium Gray
 Optional Colour : Black
 Contact : 0.46mm Diameter Phosphor Bronze
 Gold Plating Over Nickel

PC Board Layout

Ordering Information



Westfield Electronics

TEL: +44 1488 685183 www.westfielduk.com FAX: +44 1488 685430
 Unit 2, Station Yard, Station Road, Hungerford, Berkshire, RG17 ODY
 United Kingdom E-mail: sales@westfielduk.com

Please note: due to technical progress, all designs, specifications, data sheets & components are subject to change without notice. All product information contained in this catalogue / data sheet is for information only – not specification. Pls call/ fax / e mail for samples & full engineering drawings, Certificates of conformance issued if required. E&OE.