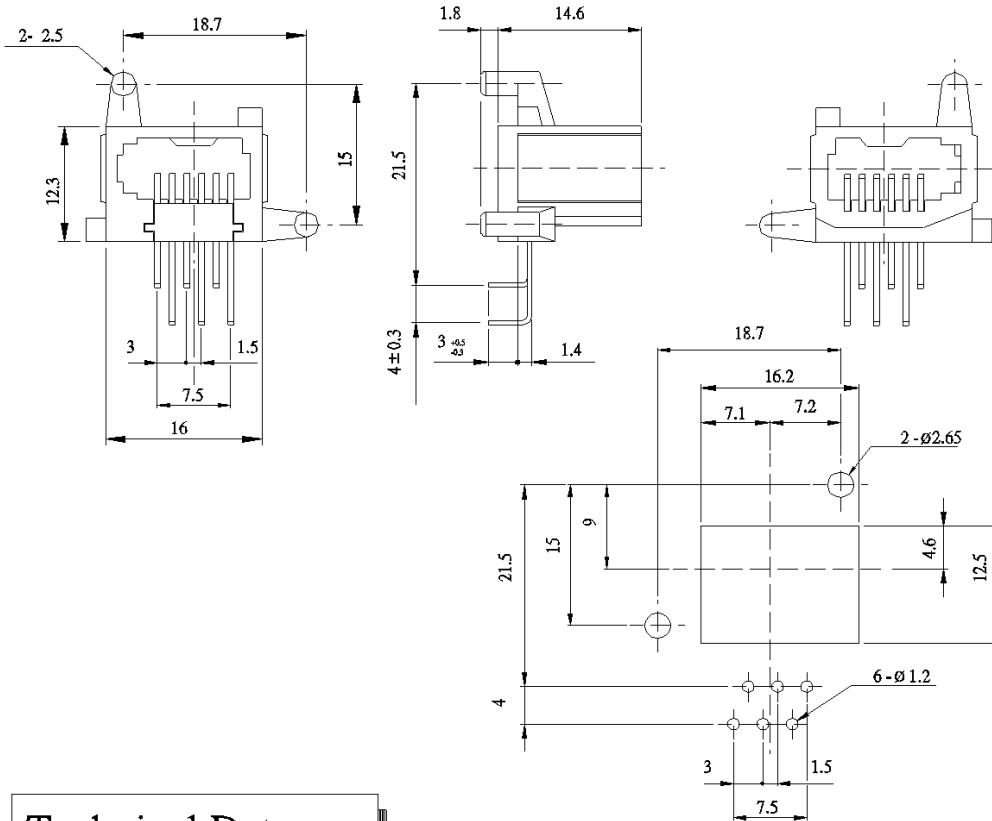


# Telecom Connectors

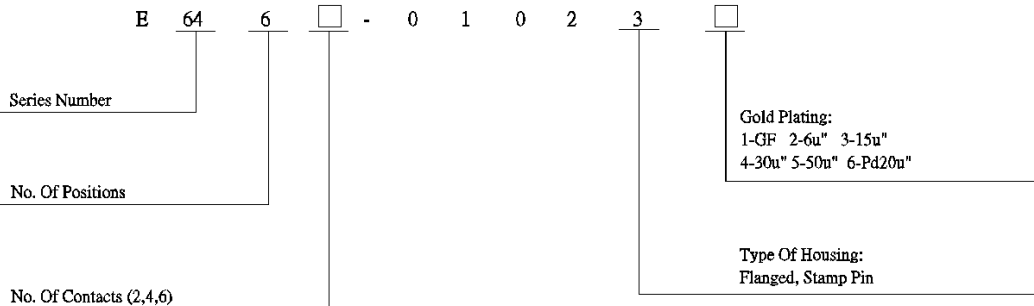
## 64 SERIES - UK BOTTOM ENTRY PCB JACK <6P>



### Technical Data

Housing : Standard Material  
Glass Filled Polyester UL94V-0  
Standard Colour : White  
Contact : 0.40mm (0.0157") Thickness  
Phosphor Bronze Alloy Selective  
Gold Plating Over Nickel Over Tin

### Ordering Information



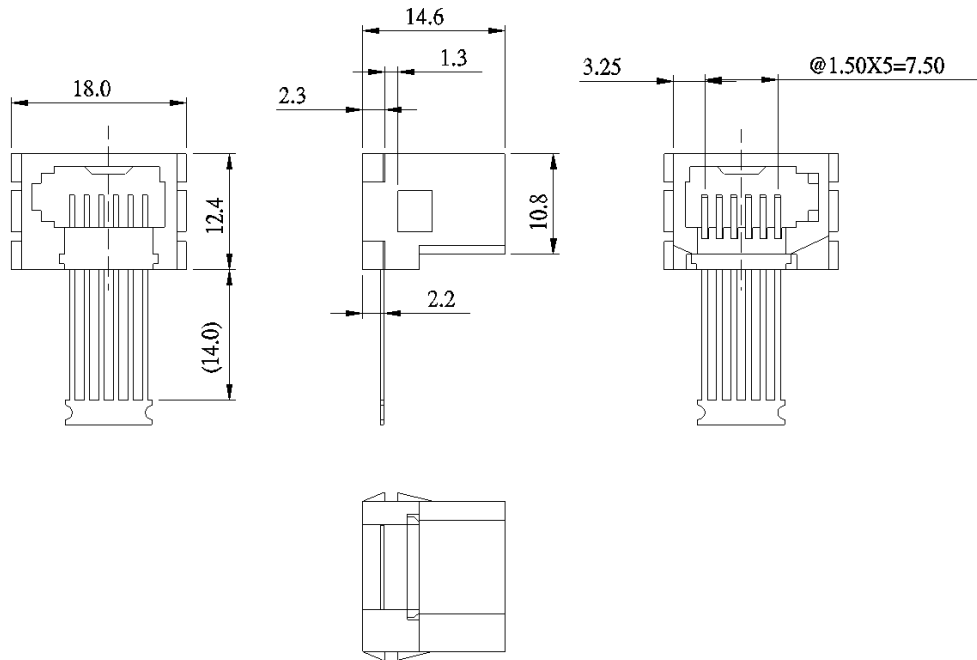
Westfield Electronics

TEL: +44 1488 685183 [www.westfield.co.uk](http://www.westfield.co.uk) FAX: +44 1488 685430  
Unit 2, Station Yard, Station Road, Hungerford, Berkshire, RG17 ODY  
United Kingdom E-mail: [sales@westfield.co.uk](mailto:sales@westfield.co.uk)

Please note: due to technical progress, all designs, specifications, data sheets & components are subject to change without notice. All product information contained in this catalogue / data sheet is for information only – not specification. Pls call/ fax / e mail for samples & full engineering drawings, Certificates of conformance issued if required. E&OE.

# Telecom Connectors

## 64 SERIES - UK BOTTOM ENTRY PCB JACK <6P>



### Technical Data

Housing : Standard Material  
 Glass Filled Polyester UL94V-0  
 Standard Colour : White  
 Contact : 0.40mm (0.0157") Thickness  
 Phosphor Bronze Alloy Selective  
 Gold Plating Over Nickel Over Tin

### Ordering Information

E	64	6	□	-	0	2	0	2	3	□
Series Number									Gold Plating: 1-GF 2-6u" 3-15u" 4-30u" 5-50u" 6-Pd20u"	
No. Of Positions									Type Of Housing: Flanged, Stamp Pin	
No. Of Contacts (2,4,6)										

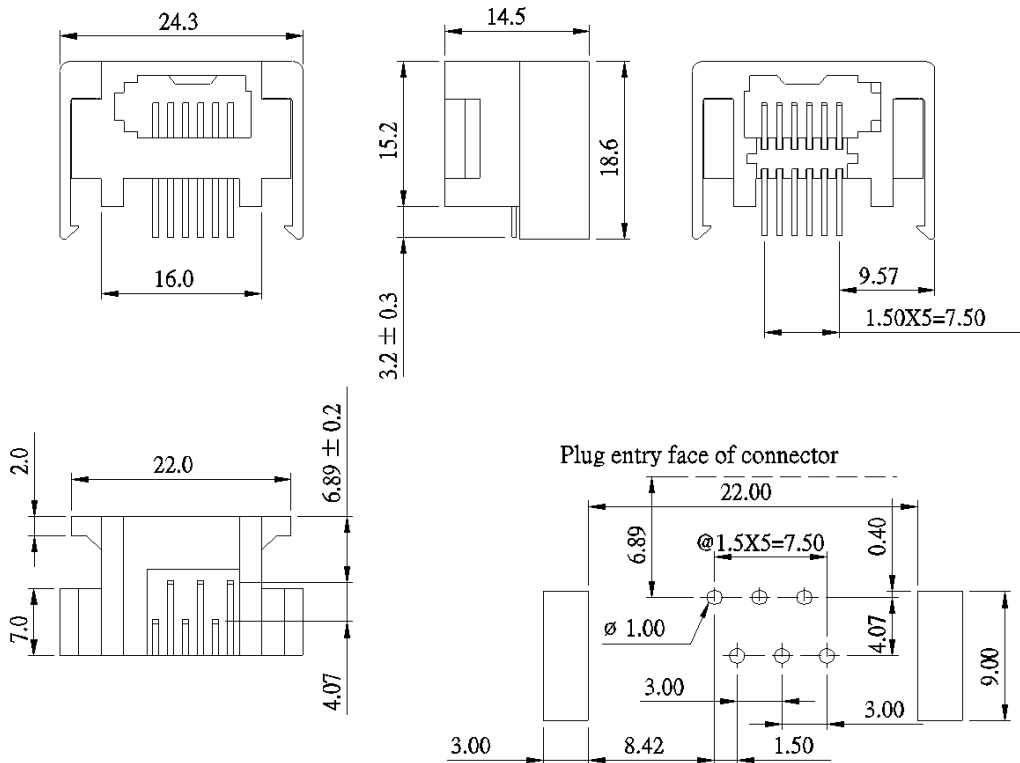
Westfield Electronics

TEL: +44 1488 685183 [www.westfielduk.com](http://www.westfielduk.com) FAX: +44 1488 685430  
 Unit 2, Station Yard, Station Road, Hungerford, Berkshire, RG17 ODY  
 United Kingdom E-mail: [sales@westfielduk.com](mailto:sales@westfielduk.com)

Please note: due to technical progress, all designs, specifications, data sheets & components are subject to change without notice. All product information contained in this catalogue / data sheet is for information only – not specification. Pls call/ fax / e mail for samples & full engineering drawings, Certificates of conformance issued if required. E&OE.

# Telecom Connectors

## 64 SERIES - UK BOTTOM ENTRY PCB JACK <6P>



### Technical Data

Housing : Standard Material  
 Glass Filled Polyester UL94V-0  
 Standard Colour : White  
 Contact : 0.40mm (0.0157") Thickness  
 Phosphor Bronze Alloy Selective  
 Gold Plating Over Nickel Over Tin

### Ordering Information

E	64	6	□	-	0	3	0	2	3	□
Series Number										
No. Of Positions										
No. Of Contacts (2,4,6)										
										Gold Plating: 1-GF 2-6u" 3-15u" 4-30u" 5-50u" 6-Pd20u"
										Type Of Housing: Flanged, Stamp Pin

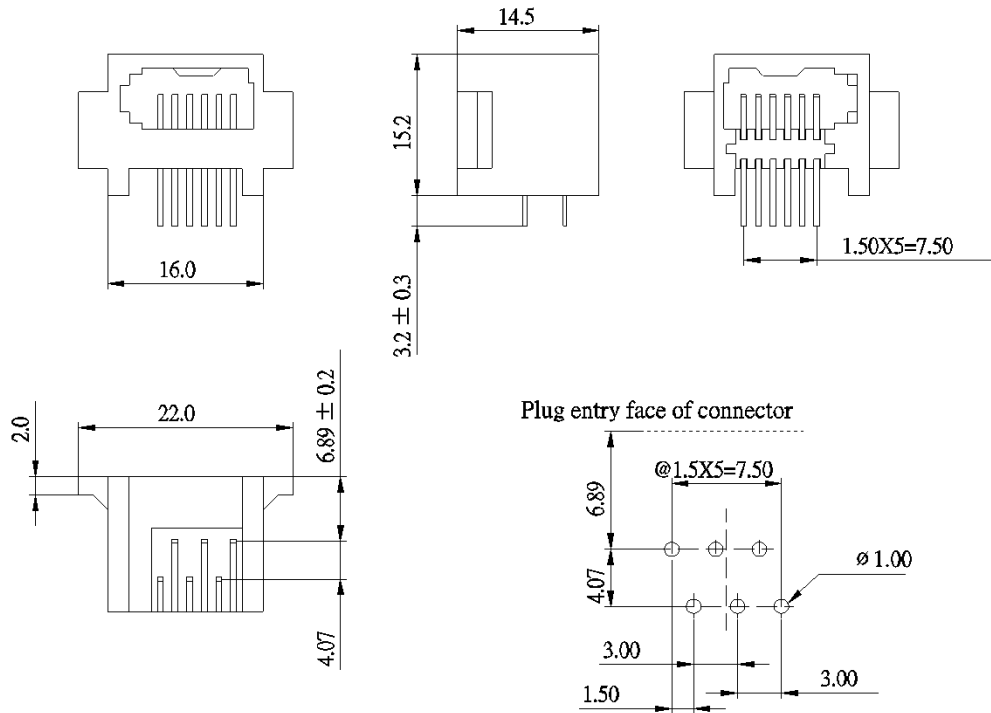
westfield Electronics

TEL: +44 1488 685183 [www.westfielduk.com](http://www.westfielduk.com) FAX: +44 1488 685430  
 Unit 2, Station Yard, Station Road, Hungerford, Berkshire, RG17 ODY  
 United Kingdom E-mail: [sales@westfielduk.com](mailto:sales@westfielduk.com)

Please note: due to technical progress, all designs, specifications, data sheets & components are subject to change without notice. All product information contained in this catalogue / data sheet is for information only – not specification. Pls call/ fax / e mail for samples & full engineering drawings, Certificates of conformance issued if required. E&OE.

# Telecom Connectors

## 64 SERIES - UK BOTTOM ENTRY PCB JACK <6P>

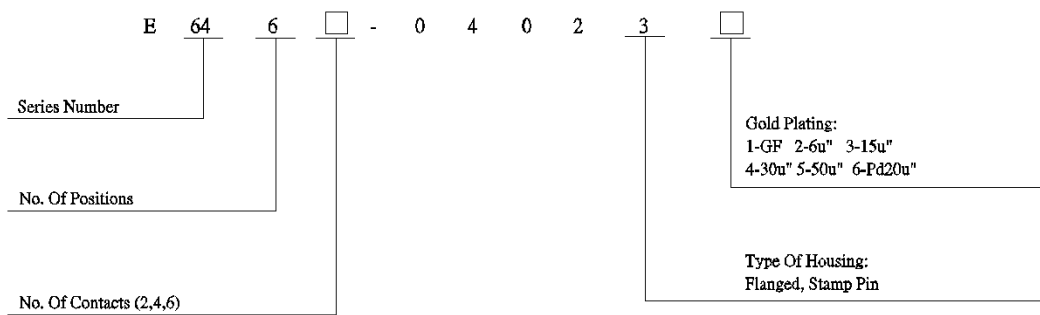


### Technical Data

Housing : Standard Material  
 Glass Filled Polyester UL94V-0  
 Standard Colour : White  
 Contact : 0.40mm (0.0157") Thickness  
 Phosphor Bronze Alloy Selective  
 Gold Plating Over Nickel Over Tin

PC Board Layout

### Ordering Information



Westfield Electronics

TEL: +44 1488 685183 [www.westfielduk.com](http://www.westfielduk.com) FAX: +44 1488 685430  
 Unit 2, Station Yard, Station Road, Hungerford, Berkshire, RG17 ODY  
 United Kingdom E-mail: [sales@westfielduk.com](mailto:sales@westfielduk.com)

Please note: due to technical progress, all designs, specifications, data sheets & components are subject to change without notice. All product information contained in this catalogue / data sheet is for information only – not specification. Pls call/ fax / e mail for samples & full engineering drawings, Certificates of conformance issued if required. E&OE.